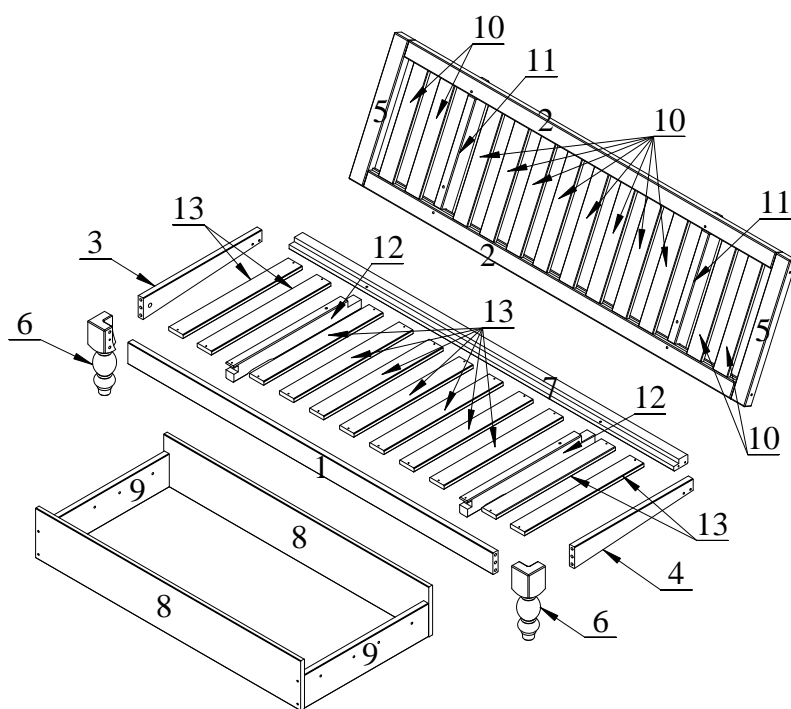
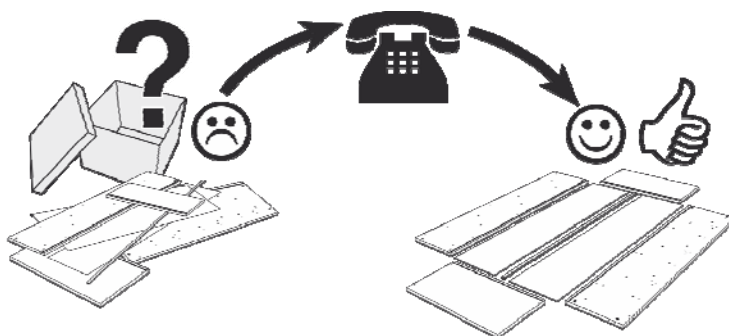
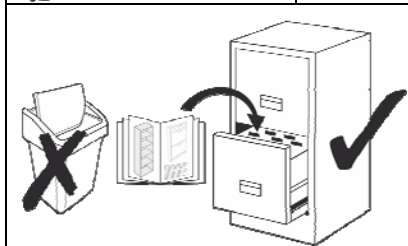


# Service • Assistenza • Dienstverlening • Serwis Servis • Szerviz • Сервисная служба

Name • Nom • Nome • Naam  
Nazwa • Jméno • Názov • Név  
Denumire • Ísim • Название

Nr. • No. • N° • Номер • Č • Sz

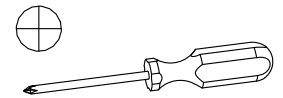
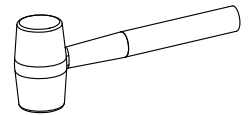
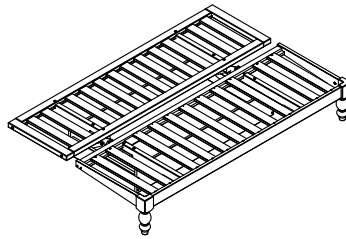
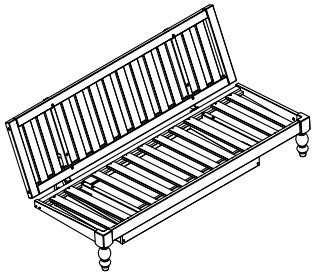
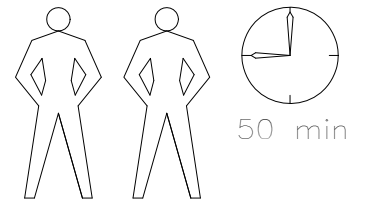
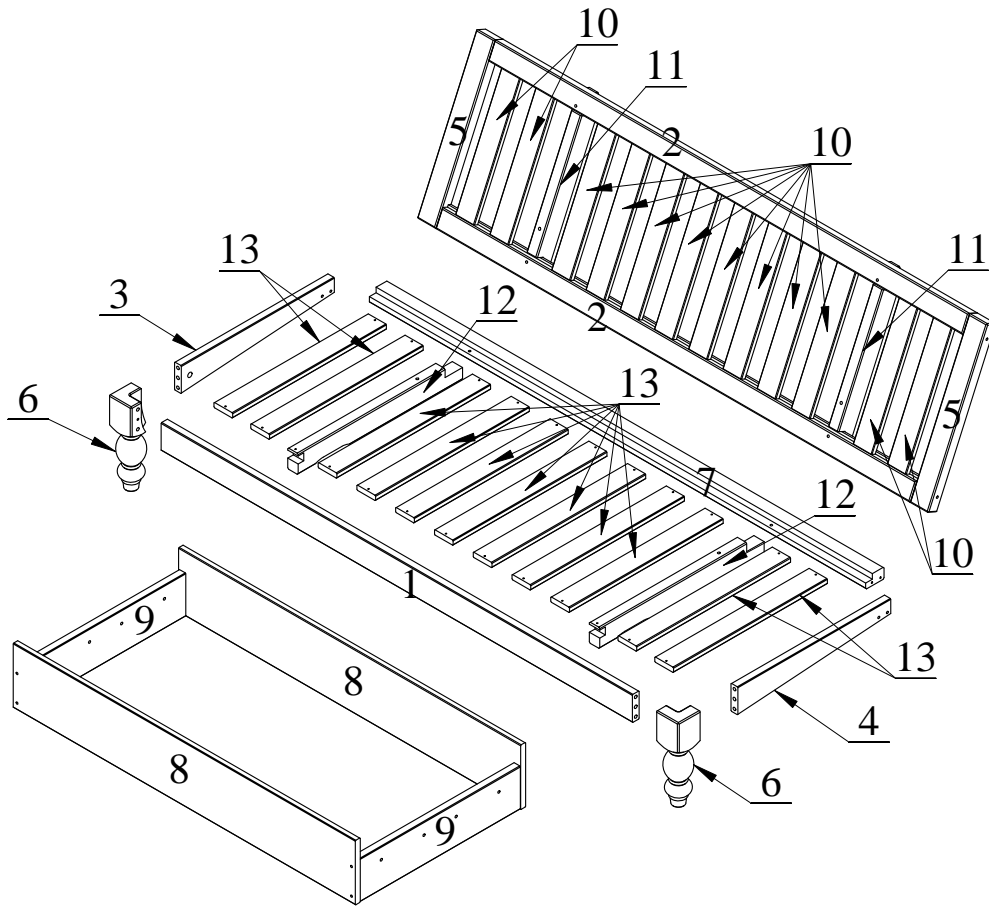
Typ • Type • Тип • Típus • Tipo  
Тип

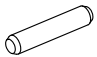


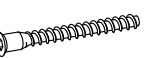
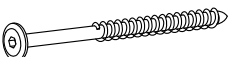




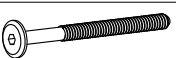


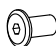
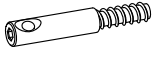


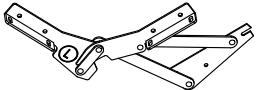
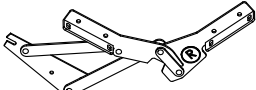

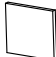

A		8x40	x48
B		10x40	x20
C		7x50	x8
D		7x60	x4
E		6,3x105	x4
F		M6x20	x4
G		M6x60	x2
H		M6x65	x4
J		M6x70	x2
K		M6x75	x2

L		M6x8x15x15	x14
M		D9,8x37x60	x4
N		D10x19	x4
P		D10x12	x4
R		Clic-Clac mech. L	x1
S		Clic-Clac mech. R	x1
T		3,5x35	x24
U		Spacer 75x68 mm	x1
V		4mm	x2

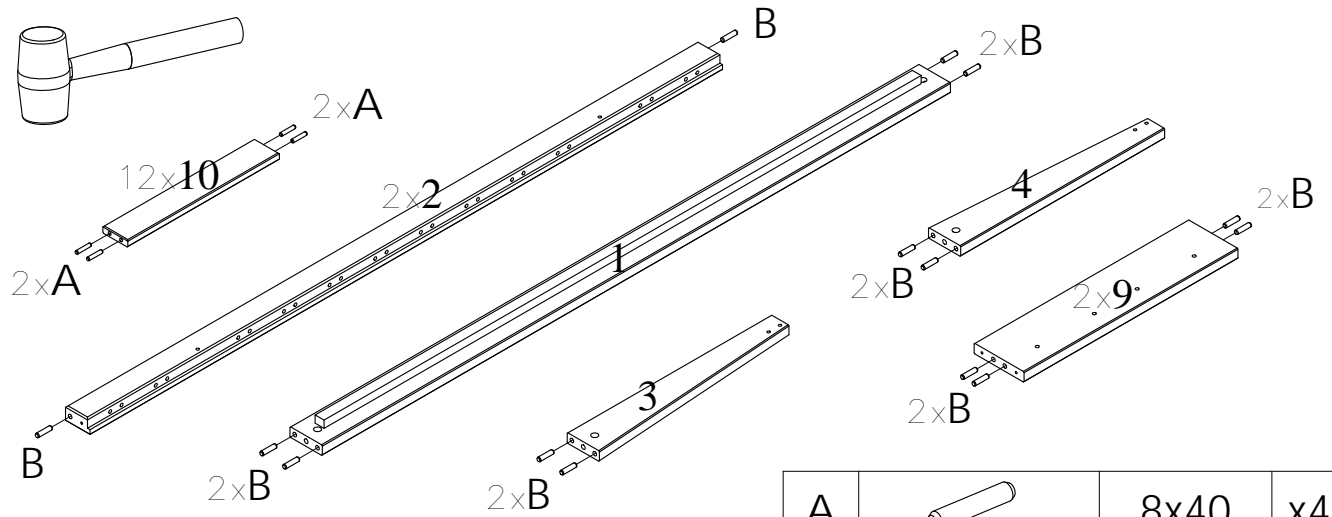
0  
10  
20  
30  
40  
50  
60  
70  
80  
90  
100  
110  
120  
130  
140  
150  
160  
170  
180  
190  
200



A		8x40	x48
B		10x40	x20
C		7x50	x8
D		7x60	x4
E		6,3x105	x4
F		M6x20	x4
G		M6x60	x2
H		M6x65	x4
J		M6x70	x2
K		M6x75	x2

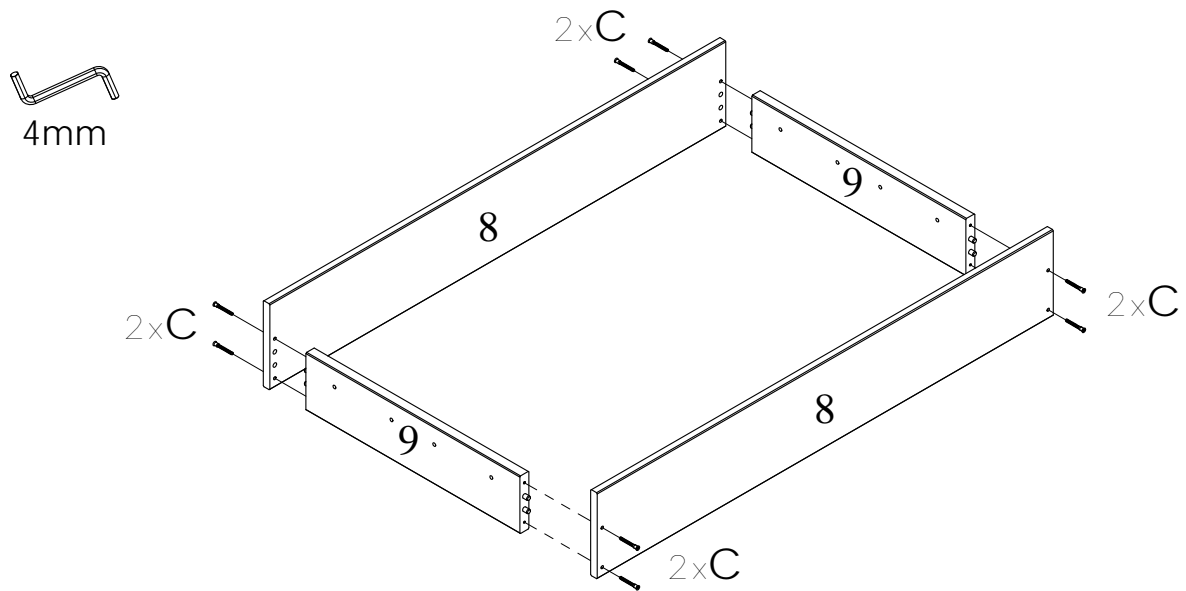
L		M6x8x15x15	x14
M		D9,8x37x60	x4
N		D10x19	x4
P		D10x12	x4
R		Clic-Clac mech. L	x1
S		Clic-Clac mech. R	x1
T		3,5x35	x24
U		Spacer 75x68 mm	x1
V		4mm	x2

①



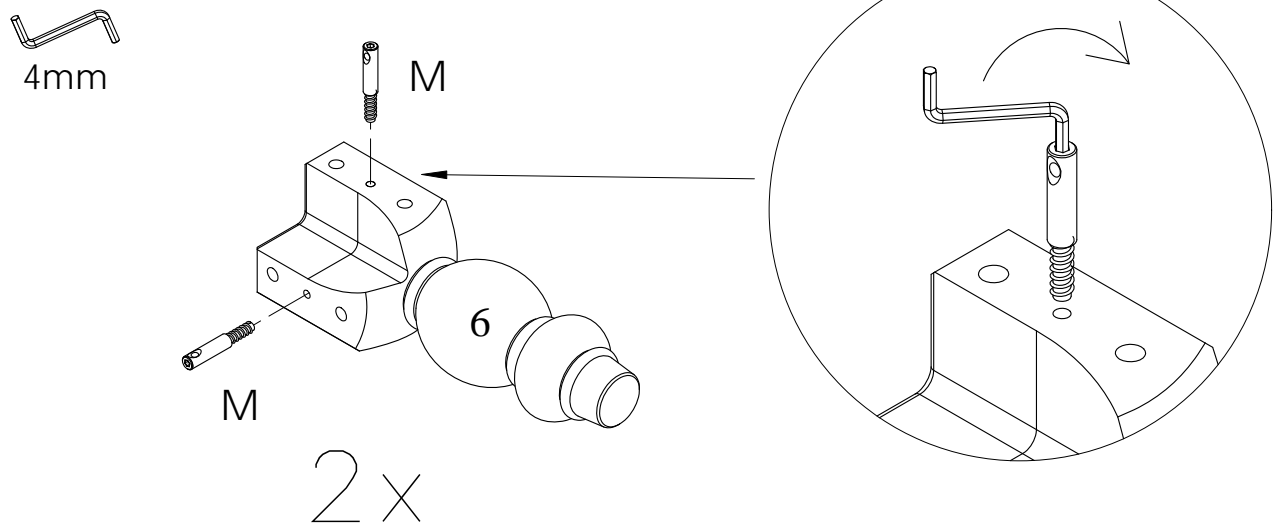
A		8x40	x48
B		10x40	x20

②



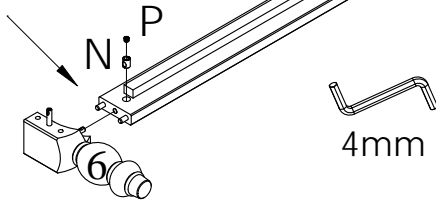
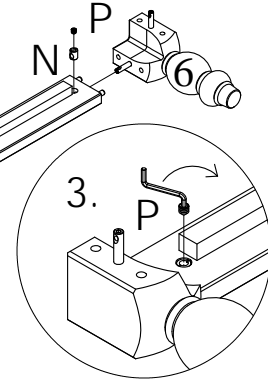
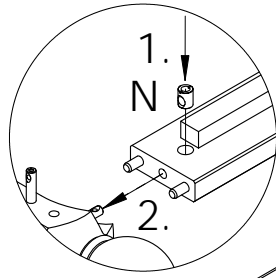
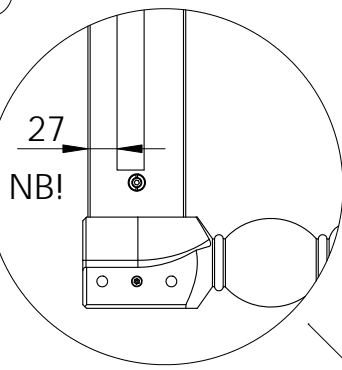
C		7x50	x8
---	--	------	----

③



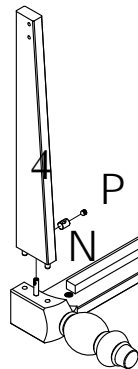
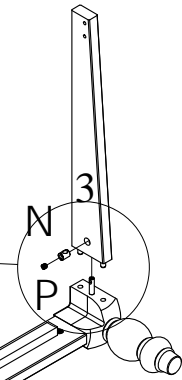
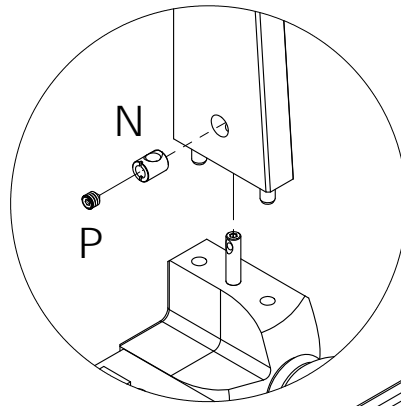
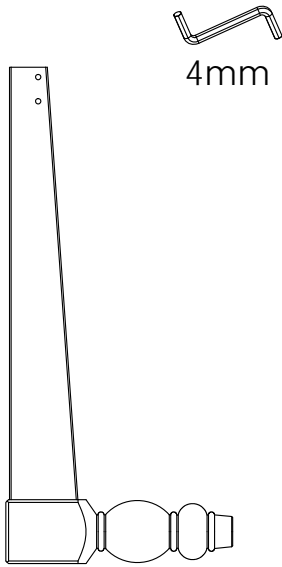
M		D9,8x37x60	x4
---	--	------------	----

4



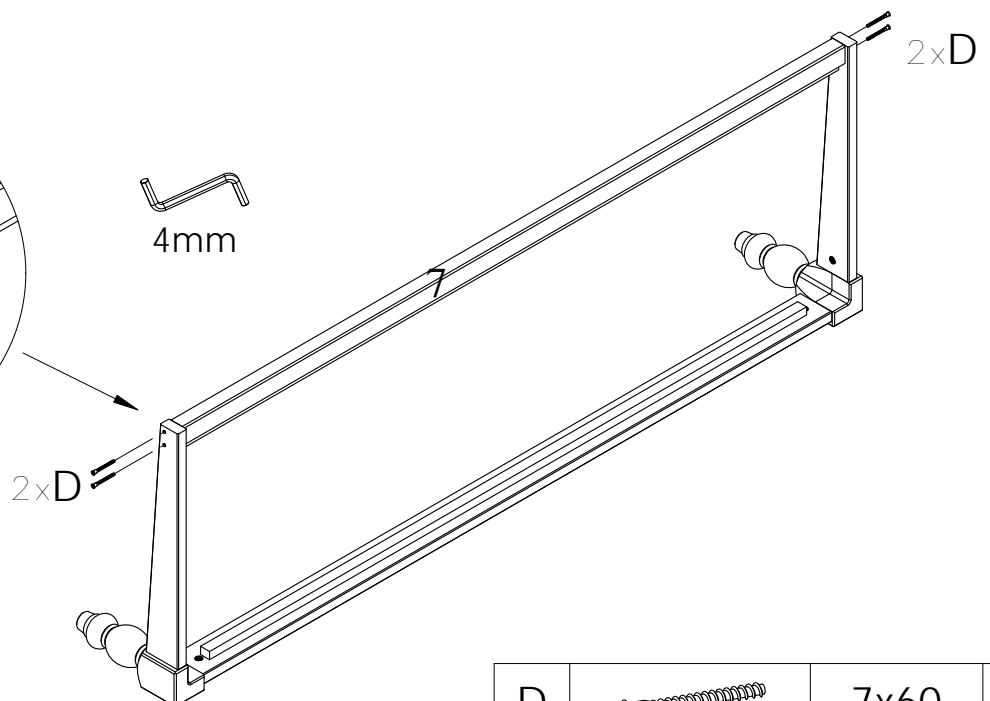
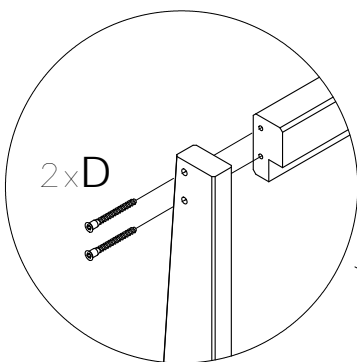
N		D10x19	x2
P		D10x12	x2

5



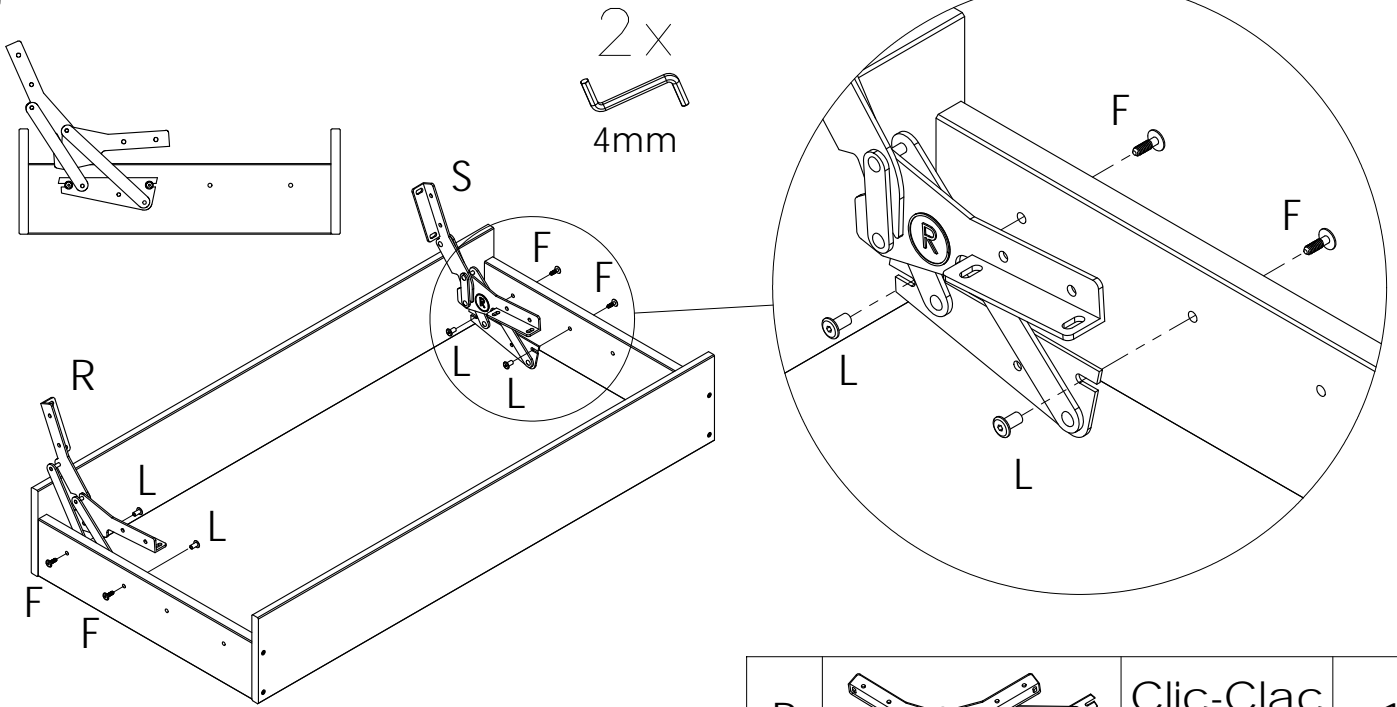
N		D10x19	x2
P		D10x12	x2


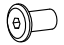
6

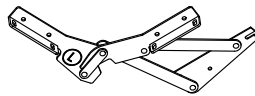
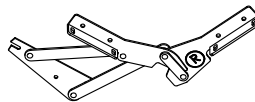


D		7x60	x4
---	--	------	----

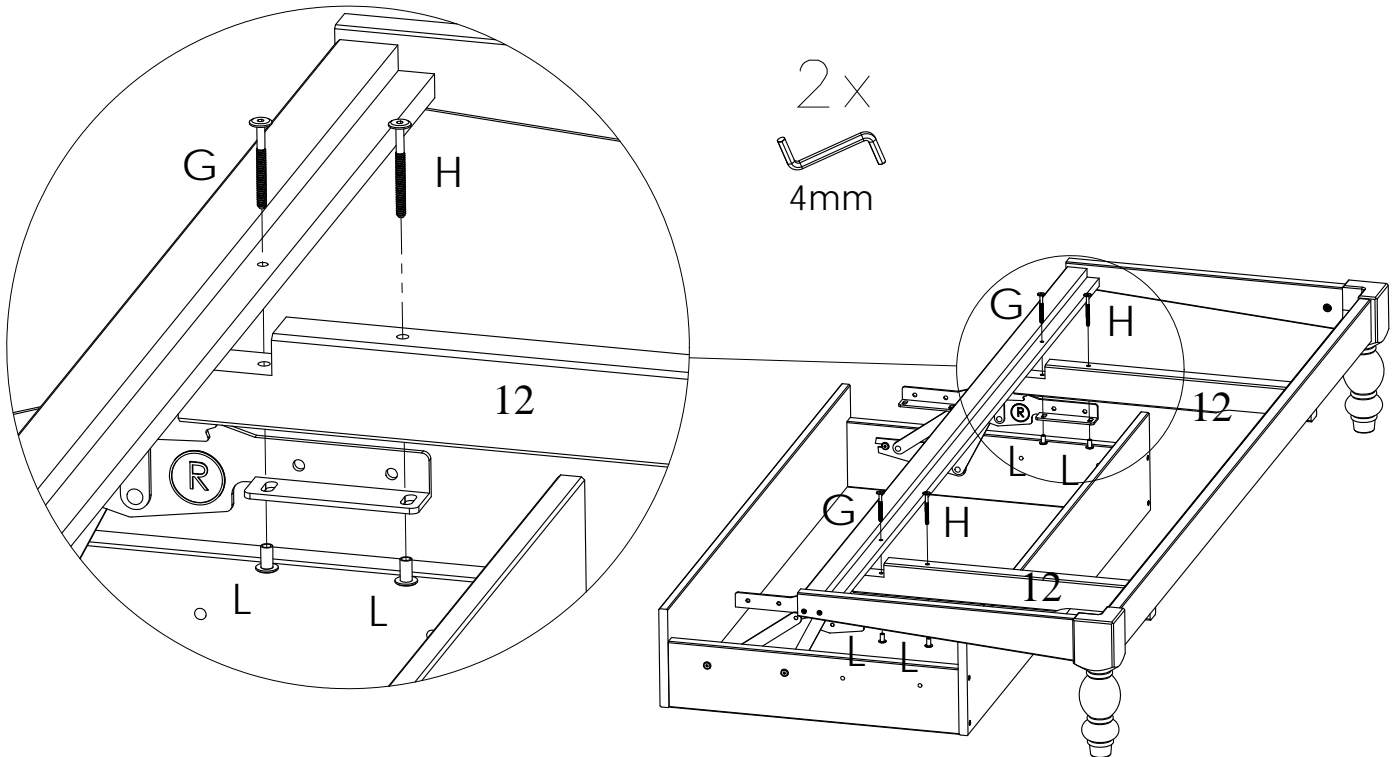
7

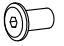

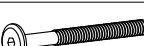


F		M6x20	x4
L		M6x8x15x15	x4

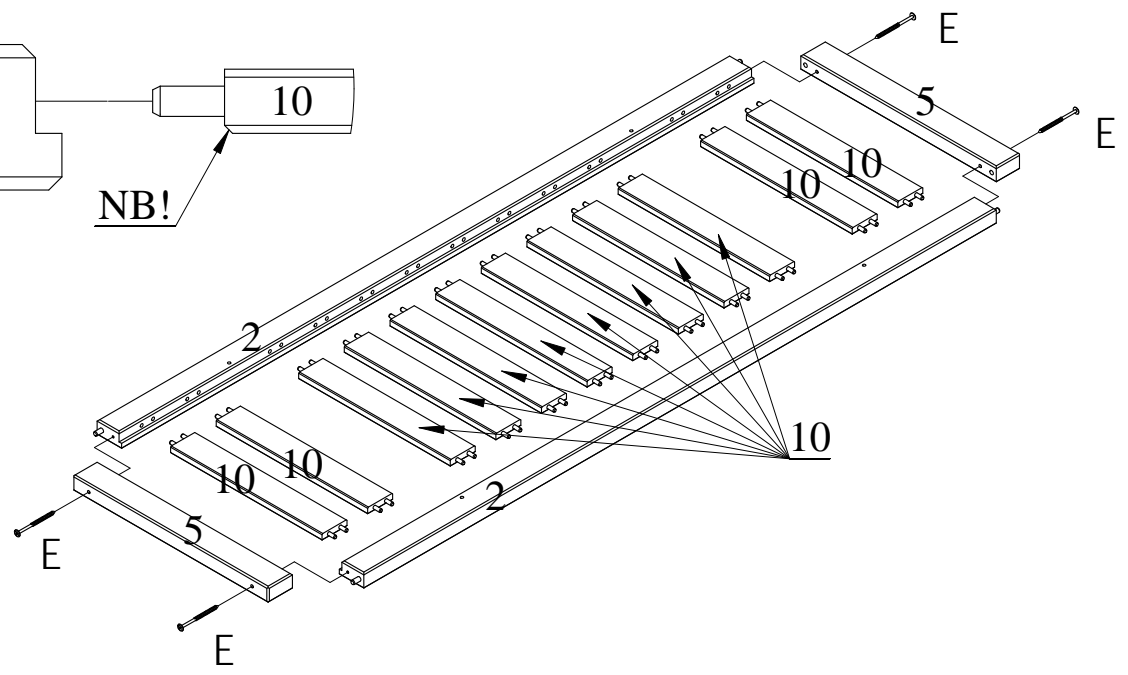
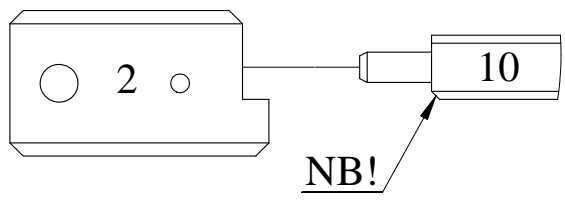
R		Clic-Clac mech.L	x1
S		Clic-Clac mech.R	x1

8



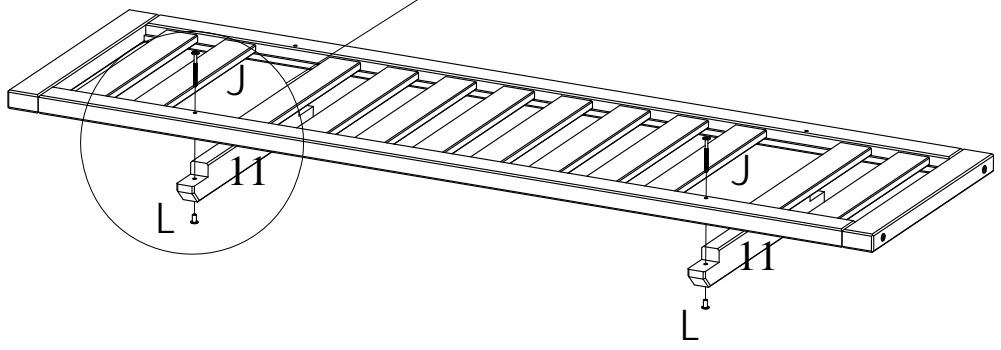
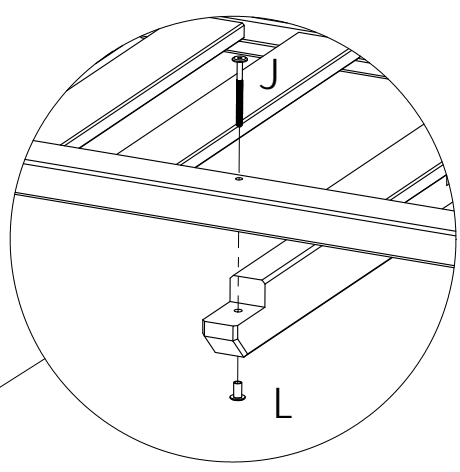
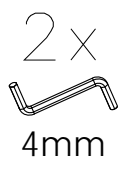
L		M6x8x15x15	x4
G		M6x60	x2
H		M6x65	x2

9



E		6,3x105	x4
---	--	---------	----


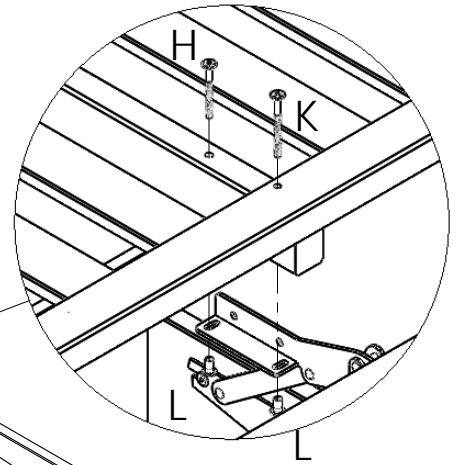
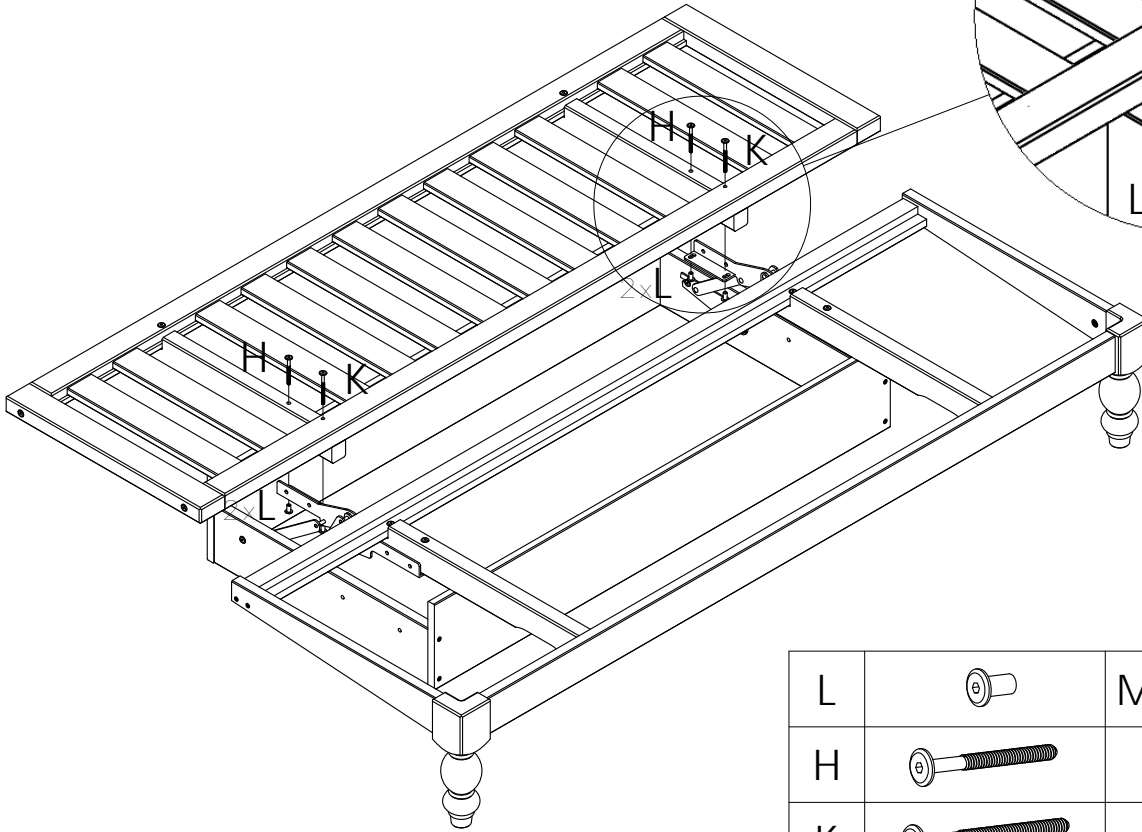
10

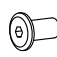




L		M6x8x15x15	x2
J		M6x70	x2

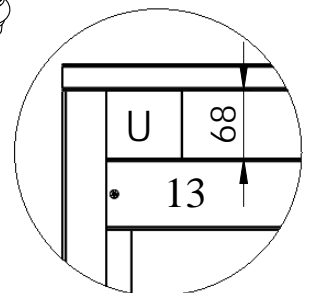
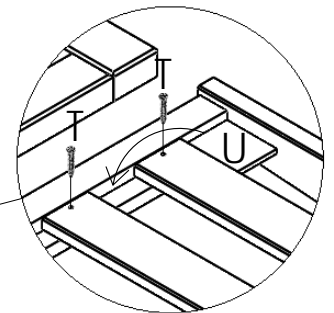
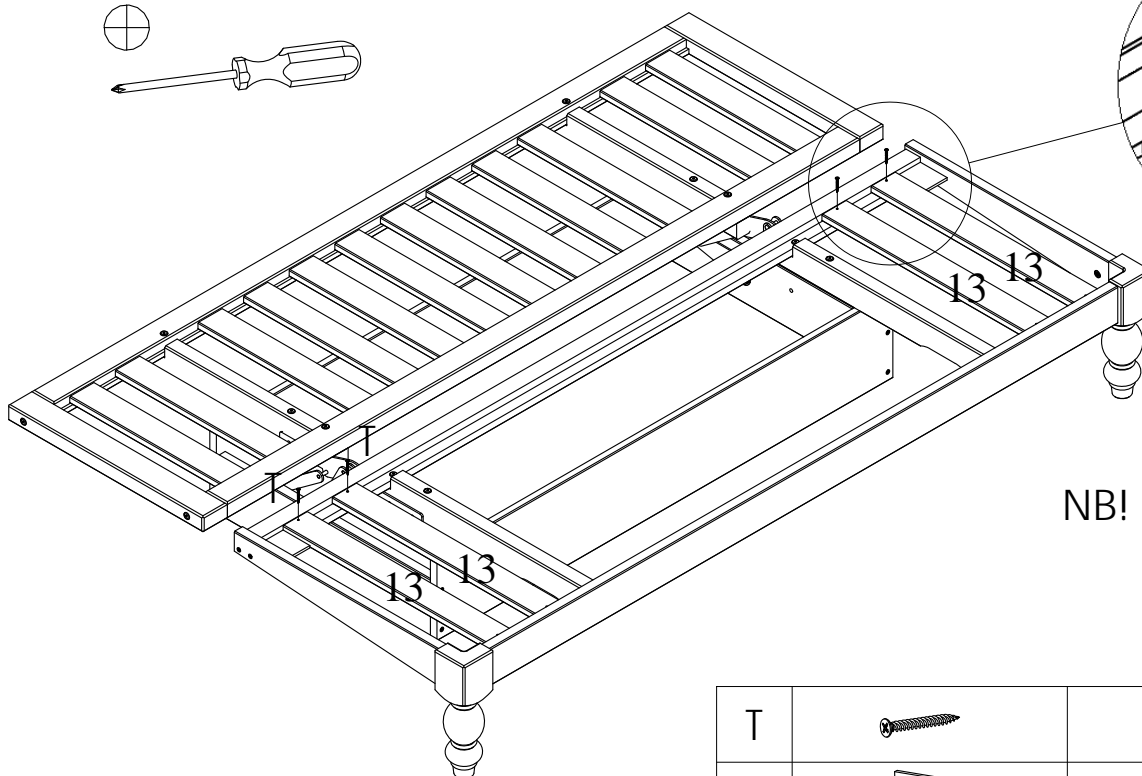
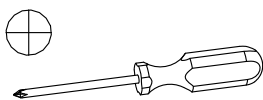
11

2x  
4mm


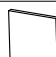



L		M6x8x15x15	x4
H		M6x65	x2
K		M6x75	x2

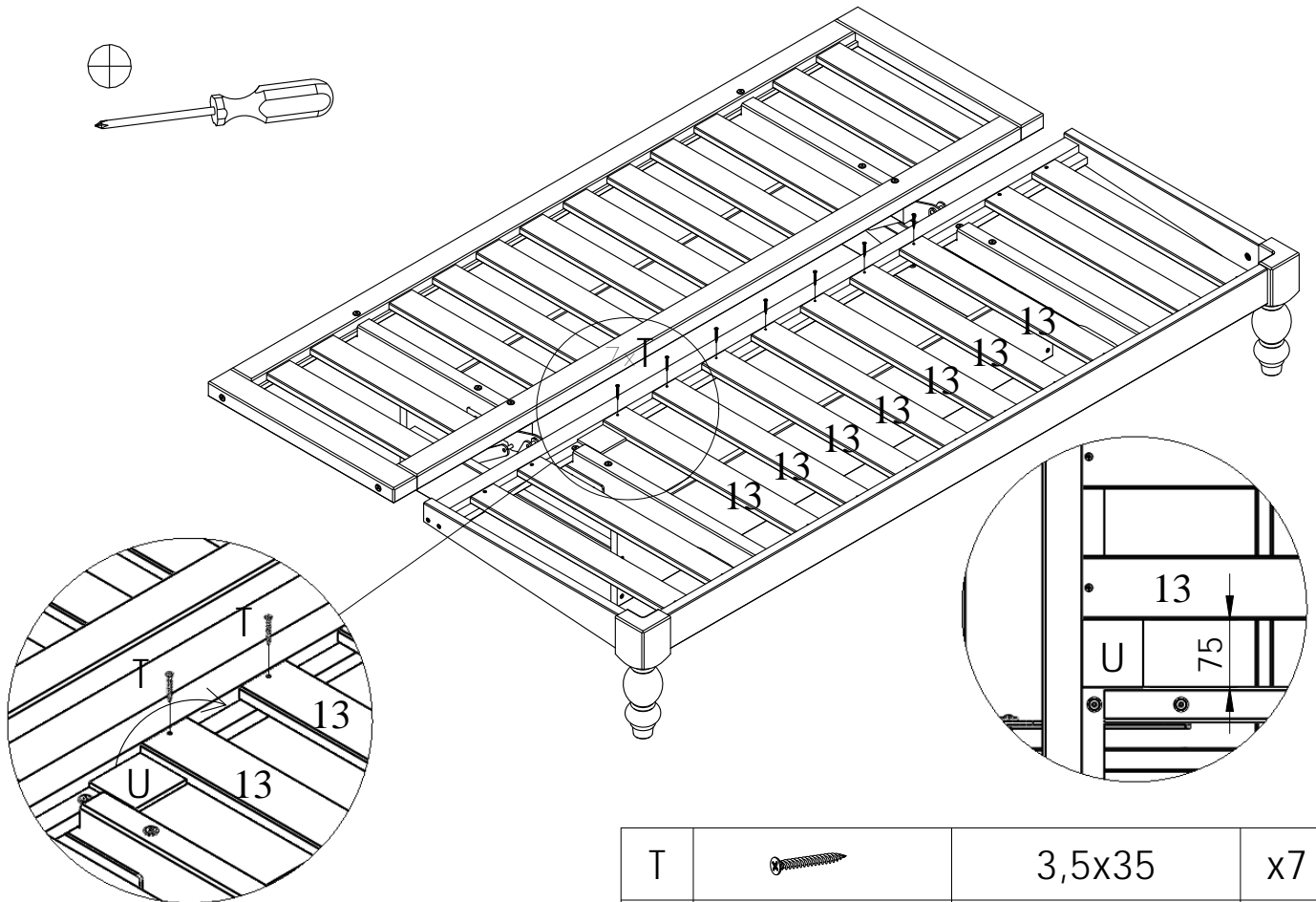
12


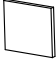


NB!

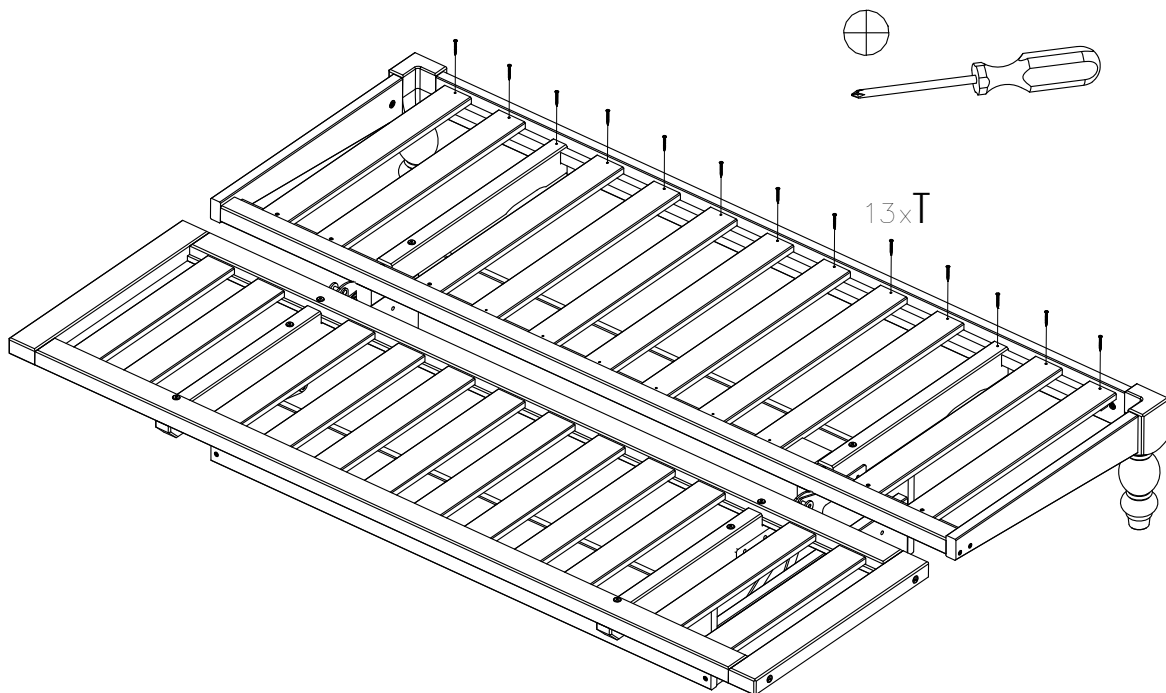
T		3,5x35	x4
U		Spacer 68mm	x1

13



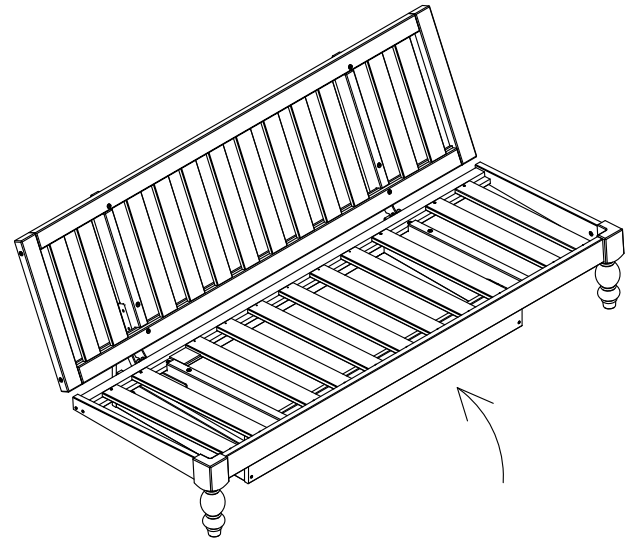
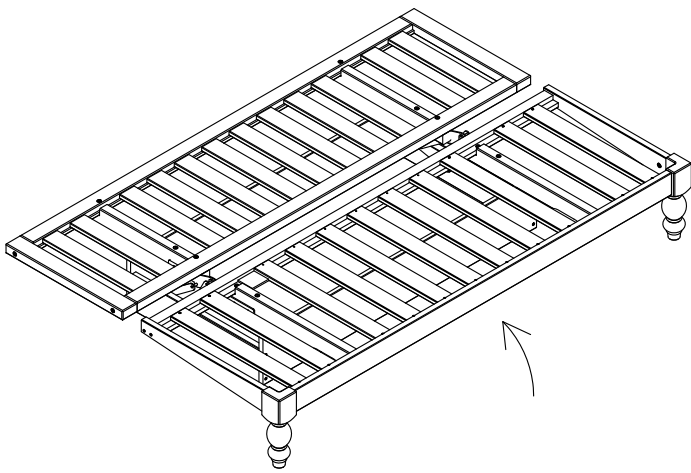
T		3,5x35	x7
U		Spacer 75mm	x1

14

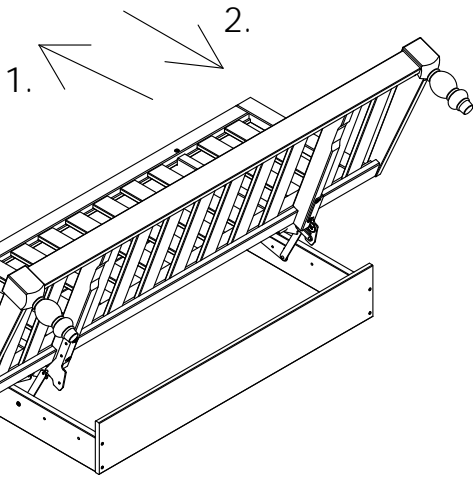


T		3,5x35	x13
---	---------------------------------------------------------------------------------------	--------	-----





Klick



Klick

