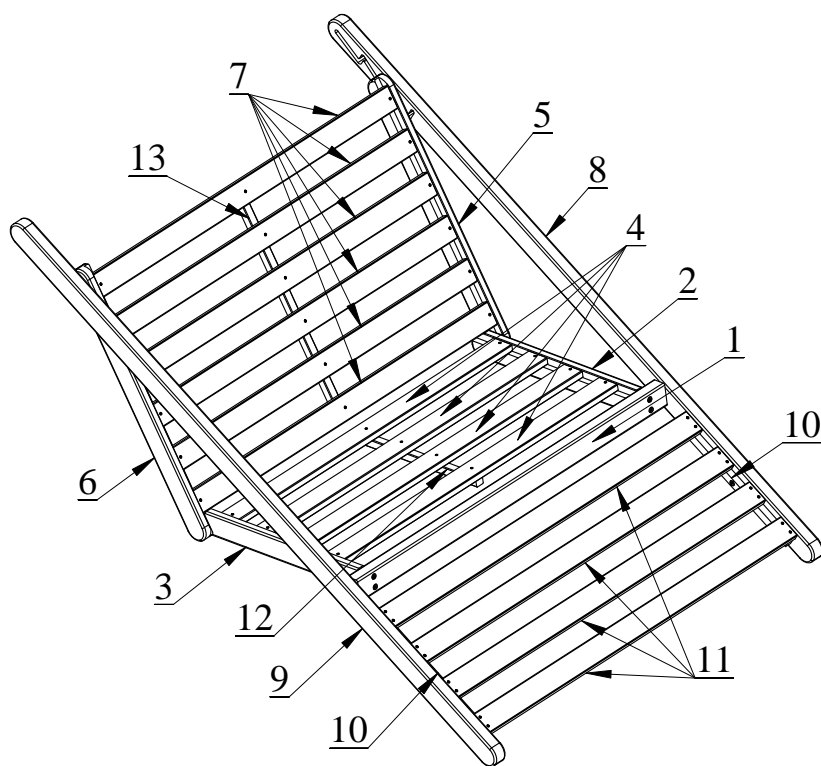





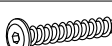


Service • Assistenza • Dienstverlening • Serwis Servis • Szerviz • Сервисная служба

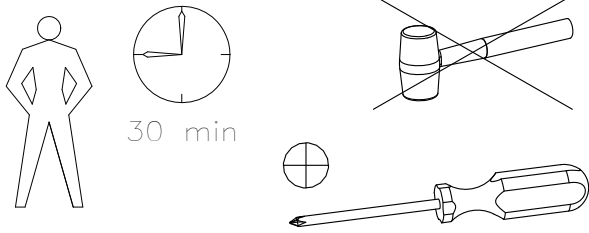
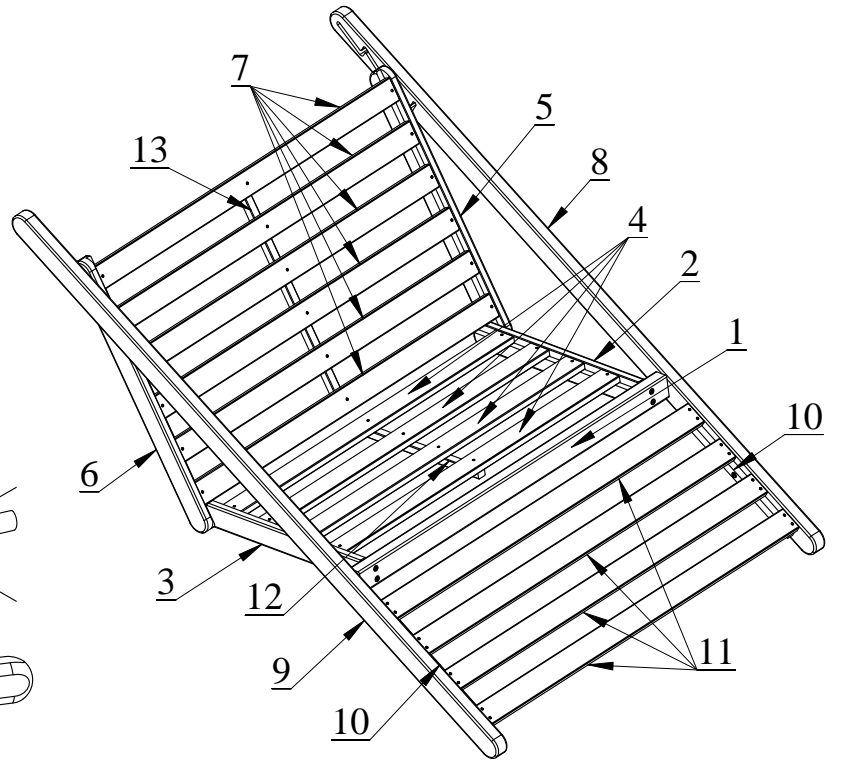
Name • Nom • Nome • Naam Nazwa • Jméno • Názov • Név Denumire • Ísim • Название		
Nr. • No. • N° • Номер • Č • Sz		
Typ • Type • Тип • Típus • Tipo Тип		



A		5x38	x26
B		5x50	x20
C		6,3x80	x4
D		6,3x50	x6
E		12x70	x6
F		4mm	x1



0
10
20
30
40
50
60
70
80
90
100
110
120
130
140
150
160
170
180
190
200

A		5x38	x26
B		5x50	x20
C		6,3x80	x4
D		6,3x50	x6
E		12x70	x6
F		4mm	x1




①

Diagram for step 1 showing the assembly of the seat and backrest slats. It includes a screwdriver icon and a 4mm bracket. The diagram shows 4x A (screws) and 4x B (screws) being used to attach slats (4) to the side rails (1). A 4mm bracket (F) is used to secure the slats to the side rails. Two screws (C) are used to attach the crossbar (2) to the side rails. A circular inset shows a close-up of a screw (B) being inserted into a pre-drilled hole in the side rail.

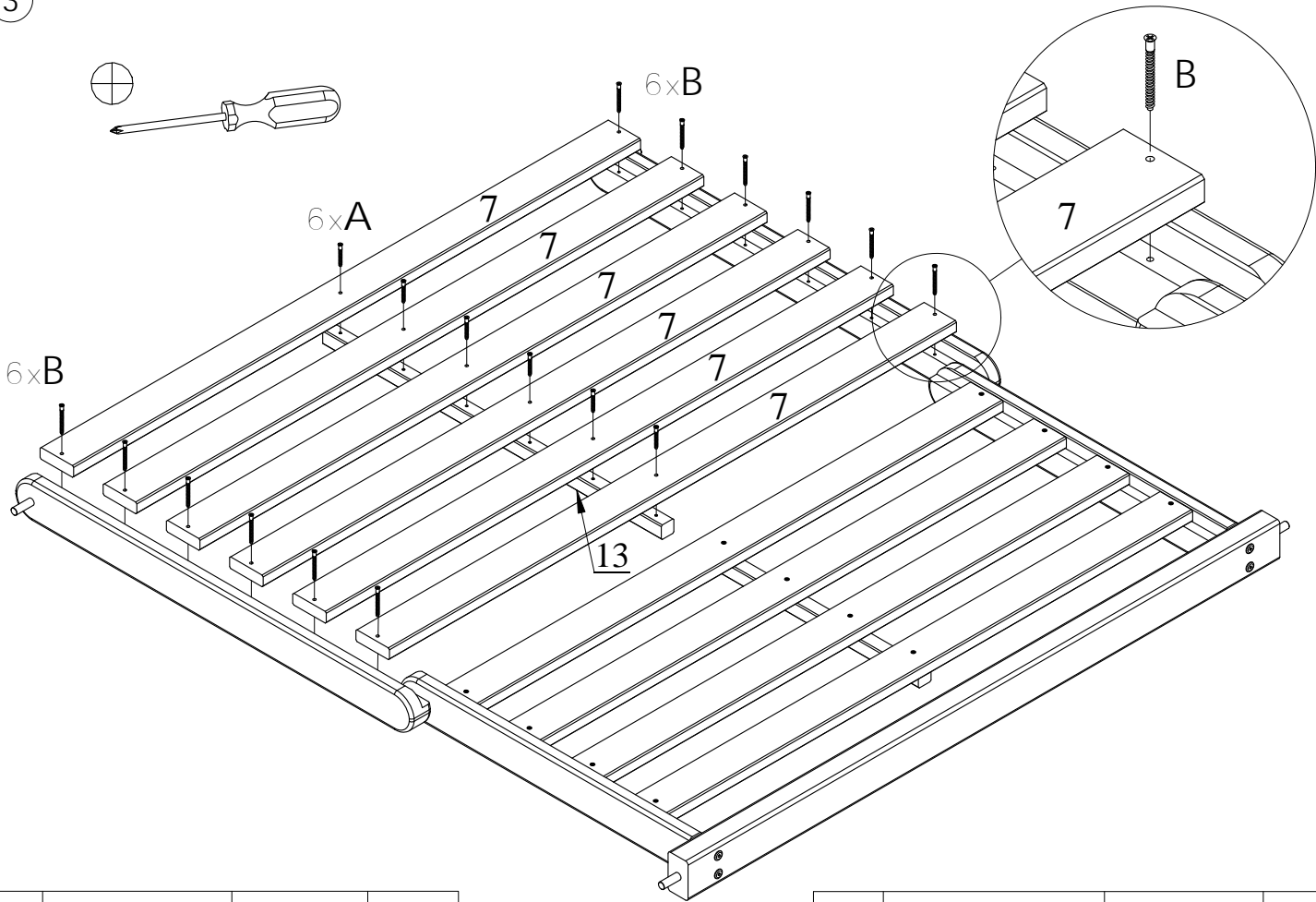
B		5x50	x8
C		6,3x80	x4

②


Diagram for step 2 showing the attachment of the rear rail (5) to the side rails (1). A hammer icon is shown with a crossed-out screwdriver, indicating that a hammer is used for this step. The diagram shows 6x E (tubes) being inserted into the side rails. A circular inset shows a close-up of a tube (E) being inserted into a hole in the side rail.

E		12x70	x6
---	---	-------	----

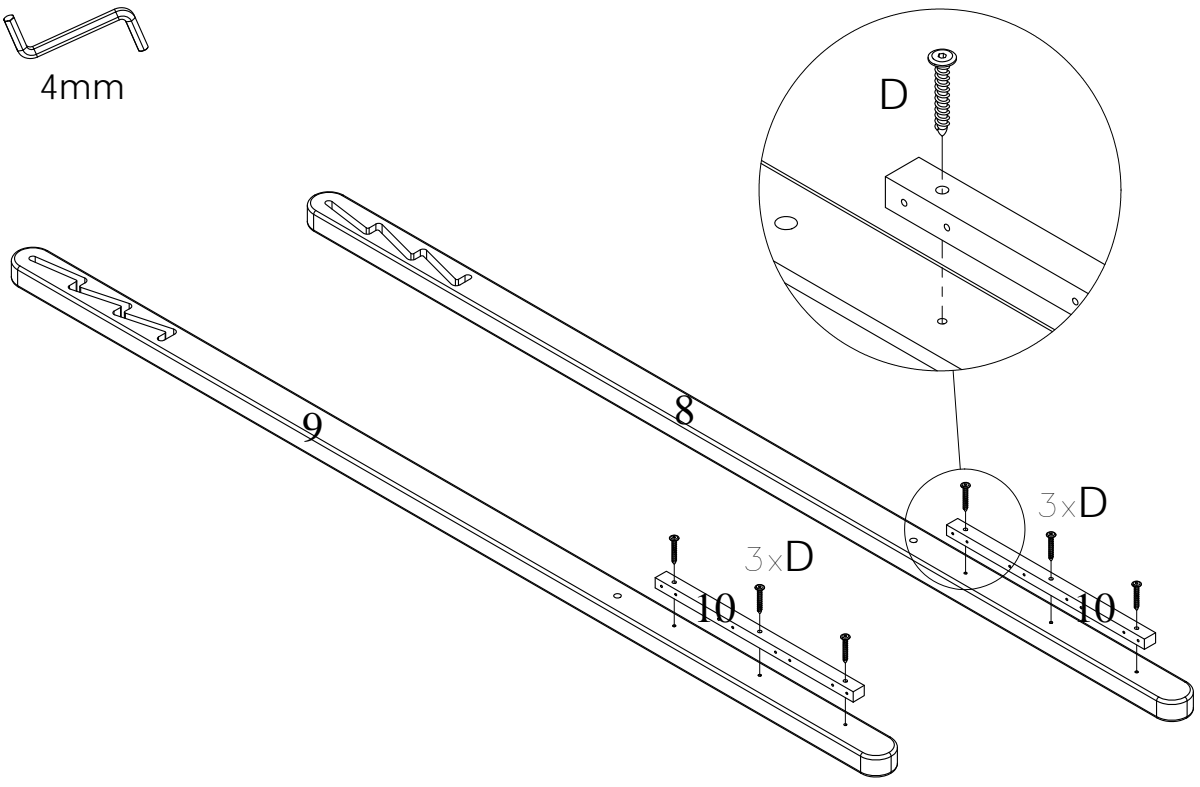
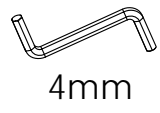
3

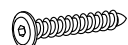


A		5x38	x6
---	---	------	----

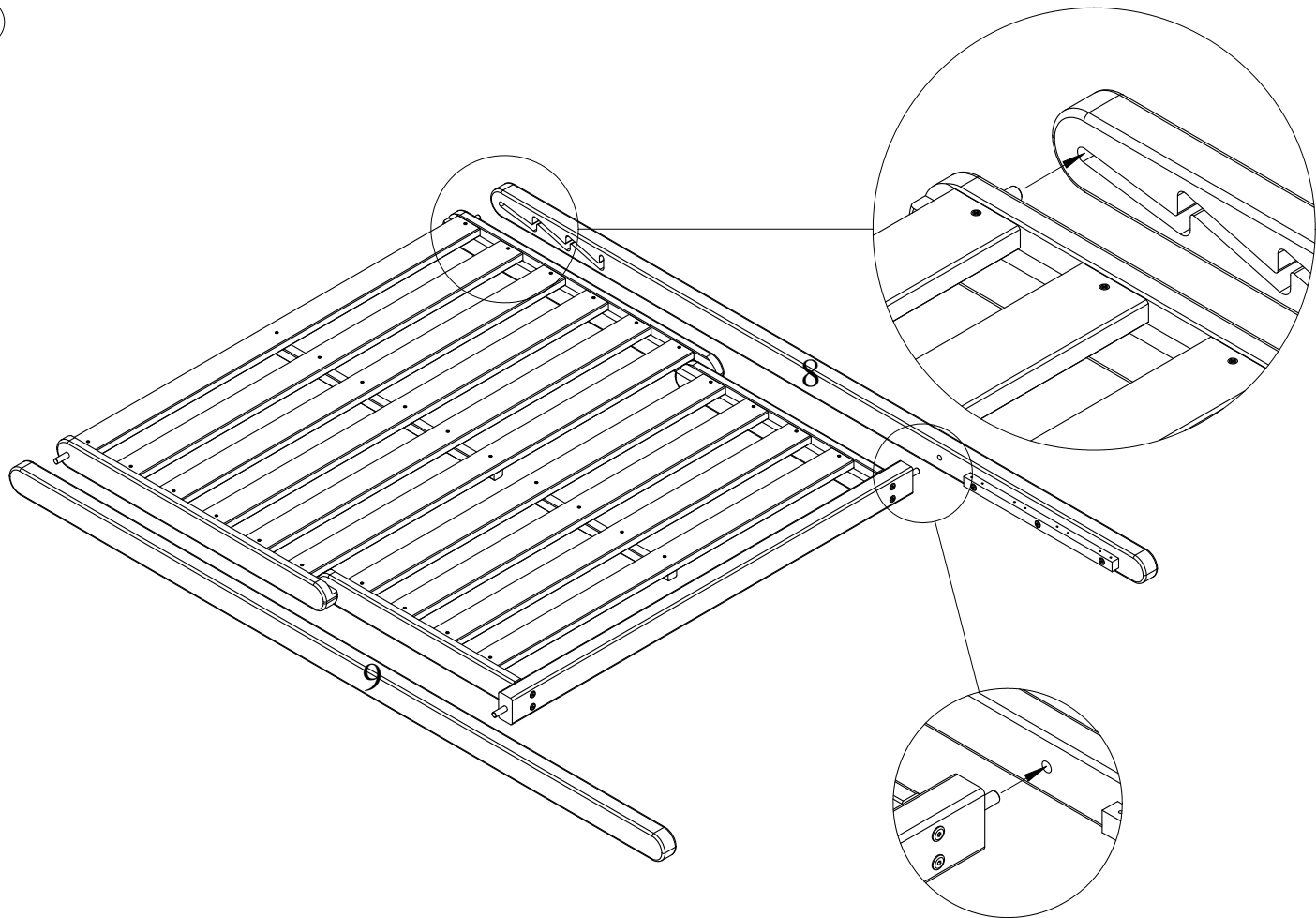
B		5x50	x12
---	---	------	-----

4

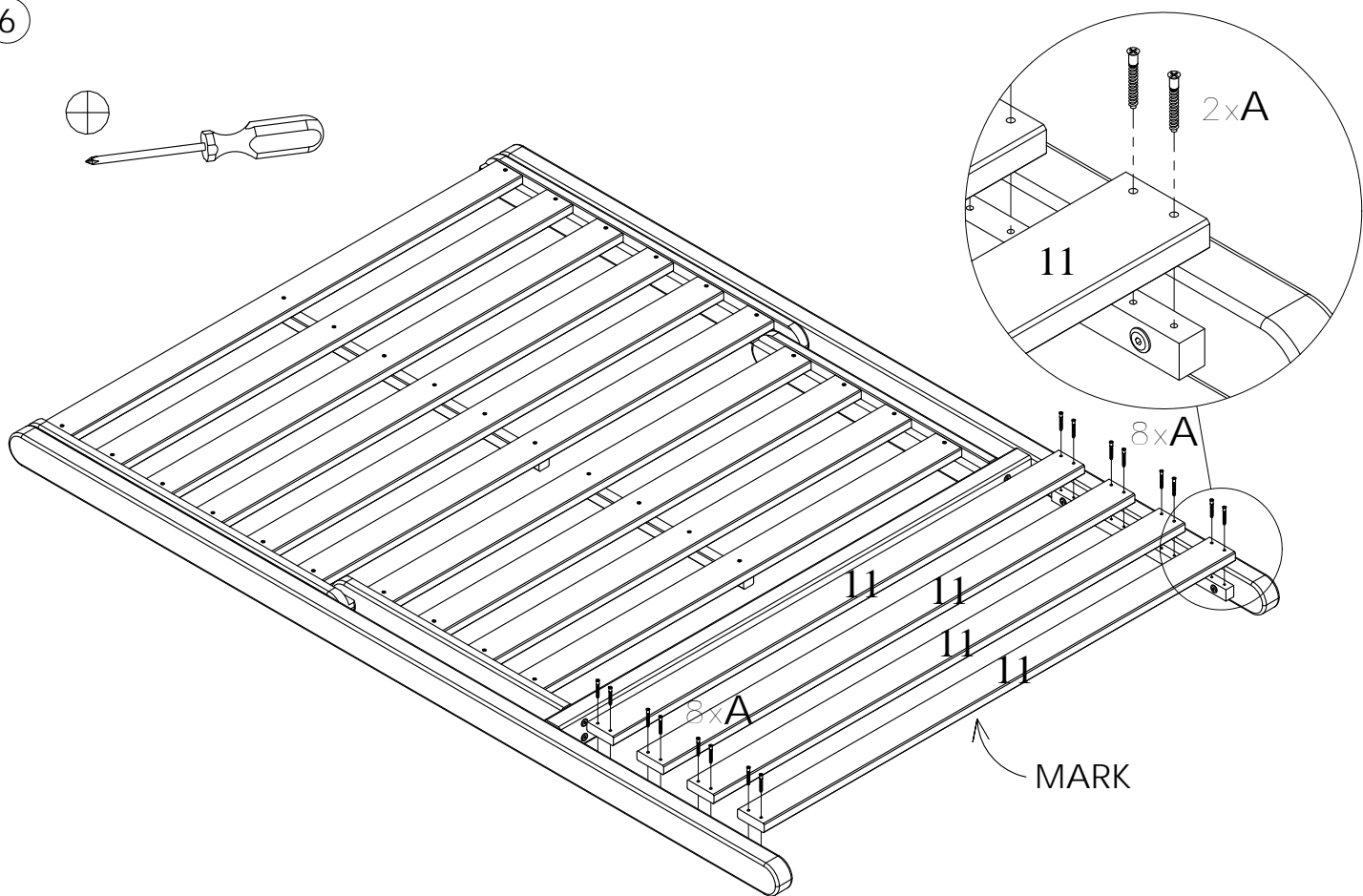



D		6,3x50	x6
---	---	--------	----

5



6



A		5x38	x16
---	---	------	-----